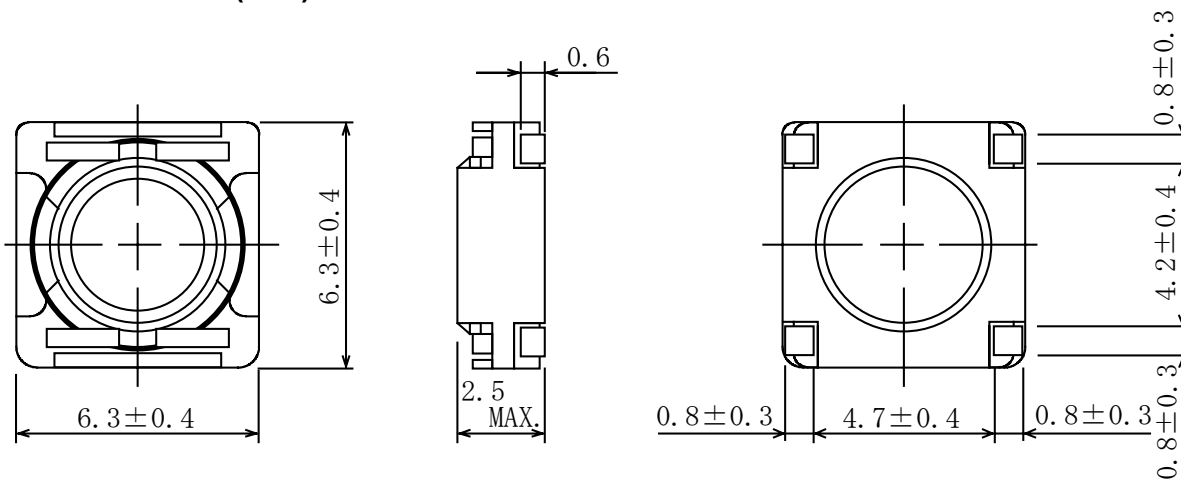
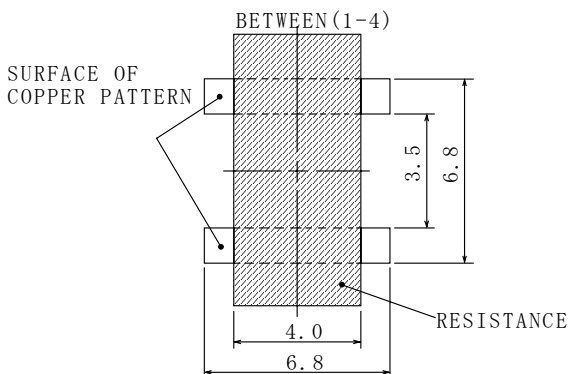
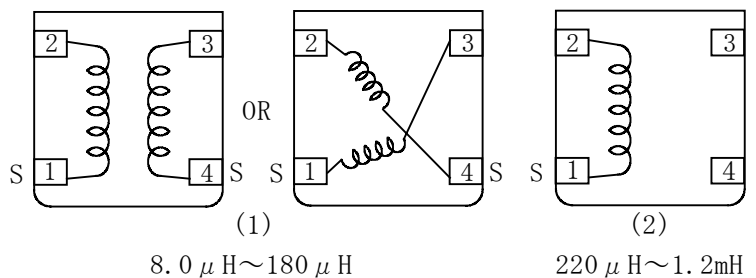


Type: CDRC62
◆ Product Description

- 6.7×6.7mm Max.(L×W), 2.5mm Max. Height.
- Inductance Range: 8μH~1.2mH
- Rated current range: 62mA~764mA
- 4 Terminal pins' type gives a flexible design as inductors or transformers(SEPIC,ZETA circuit).


◆ Feature

- Magnetically shielded construction.
- Ideally used in portable devices such as DVD,DSC/DVC,MP3,PDA,HDD etc as DC-DC Converter inductors.
- RoHS Compliance

◆ Dimensions (mm)

◆ Land Pattern (mm)

◆ Schematics(Bottom)


Type: CDRC62
◆ Specification(Used as inductors)

Part name ※	Stamp	Inductance [within] ※ 1	D.C.R.(Ω) Max.(Typ.) (at 20°C)	Rated Current (mA)※2	S.R.F. (MHz) [Typ.]
CDRC62NP-8R0N□	8R0	8 μH ± 25%	0.077 (0.062)	764	38.6
CDRC62NP-100N□	100	10 μH ± 25%	0.104 (0.083)	712	33.9
CDRC62NP-150N□	150	15 μH ± 25%	0.131 (0.105)	556	27.6
CDRC62NP-220N□	220	22 μH ± 25%	0.200 (0.160)	467	23.0
CDRC62NP-330N□	330	33 μH ± 25%	0.264 (0.211)	374	18.9
CDRC62NP-390N□	390	39 μH ± 25%	0.381 (0.305)	354	16.9
CDRC62NP-470N□	470	47 μH ± 25%	0.430 (0.344)	320	15.0
CDRC62NP-560N□	560	56 μH ± 25%	0.480 (0.384)	290	14.0
CDRC62NP-680N□	680	68 μH ± 25%	0.624 (0.499)	248	12.2
CDRC62NP-820N□	820	82 μH ± 25%	0.671 (0.537)	237	11.4
CDRC62NP-101M□	101	100 μH ± 20%	0.769 (0.615)	212	10.2
CDRC62NP-121M□	121	120 μH ± 20%	1.02 (0.816)	194	9.4
CDRC62NP-151M□	151	150 μH ± 20%	1.43 (1.14)	174	8.6
CDRC62NP-181M□	181	180 μH ± 20%	1.60 (1.28)	160	7.5
CDRC62NP-221M□	221	220 μH ± 20%	1.77 (1.42)	142	7.2
CDRC62NP-271M□	271	270 μH ± 20%	2.30 (1.84)	130	6.5
CDRC62NP-331M□	331	330 μH ± 20%	2.71 (2.16)	117	5.8
CDRC62NP-391M□	391	390 μH ± 20%	3.02 (2.42)	108	5.3
CDRC62NP-471M□	471	470 μH ± 20%	3.93 (3.14)	98	4.8
CDRC62NP-561M□	561	560 μH ± 20%	4.46 (3.57)	91	4.4
CDRC62NP-681M□	681	680 μH ± 20%	6.05 (4.84)	83	4.0
CDRC62NP-821M□	821	820 μH ± 20%	6.79 (5.43)	75	3.7
CDRC62NP-102M□	102	1.0 mH ± 20%	9.98 (7.98)	66	3.3
CDRC62NP-122M□	122	1.2 mH ± 20%	11.8 (9.44)	62	3.0

※ Description of Part Name

CDRC62NP-8R0N□

└──	B	Box
└──	C	Carrier Tape

※1 : Measuring frequency: 8.0 μH ~ 82 μH ; at 100kHz
 100 μH ~ 1.2mH ; at 1kHz

※2: Rated current: The D.C. current at which the inductance decreases to 75% of it's nominal value or when Δt=40°C, whichever is lower(Ta=20°C).